



CE300AXE, CE300BXE, and CE300CXE **XENON POWER SUPPLY**



The CE300AXE, CE300BXE, and CE300CXE power supplies are designed to run xenon arc lamps in a constant-power mode.

The CE300 power supply is designed to run xenon arc lamps in a constant-power mode. The supply is designed to run the Osram XBO 300 and Cermax® Xenon family lamps. The output power is adjustable from 270 - 315 Watts with a built-in potentiometer. EMI line filtering is built-in to the unit. The CE300BXE has smaller Y-capacitors to meet the 100 μ A leakage requirement for many U.S. hospitals.

Output current: 17.0 to 22.0 Adc

Output ripple: <0.7 Ap-p*

Efficiency: >70% at 300 W output, 120 VAC input

Thermal protection: ballast is disabled when temperature exceeds 90 °C. Unit will automatically restart after cooling down.

Isolated Auxiliary output (UL-rated): +12V fan power, 800 mA max.
Optically Isolated Status and Control Connector (UL-rated circuit)

- Remote Enable
- Lamp Lit Status

Ground Leakage:

CE300AXE:	< 300 μ A
CE300BXE:	< 10 μ A
CE300CXE:	< 100 μ A

* ripple is measured in a DC to 20 MHz bandwidth

CERMAX

Key Features

- Line Input: 100 - 240 VAC, \pm 10%, 47 - 63 Hz, 6.5 Arms max.
- Environmental: 0°C to 50°C operating.
- Altitude: -1,000 ft. to 12,000 ft. (-305 m to 3658 m) MSL.
- Weight: 2.5 lbs. (1.14 Kg).
- Dimensions: 6.50" x 4.65" x 2.80" tall (165mm x 118mm x 71mm tall).

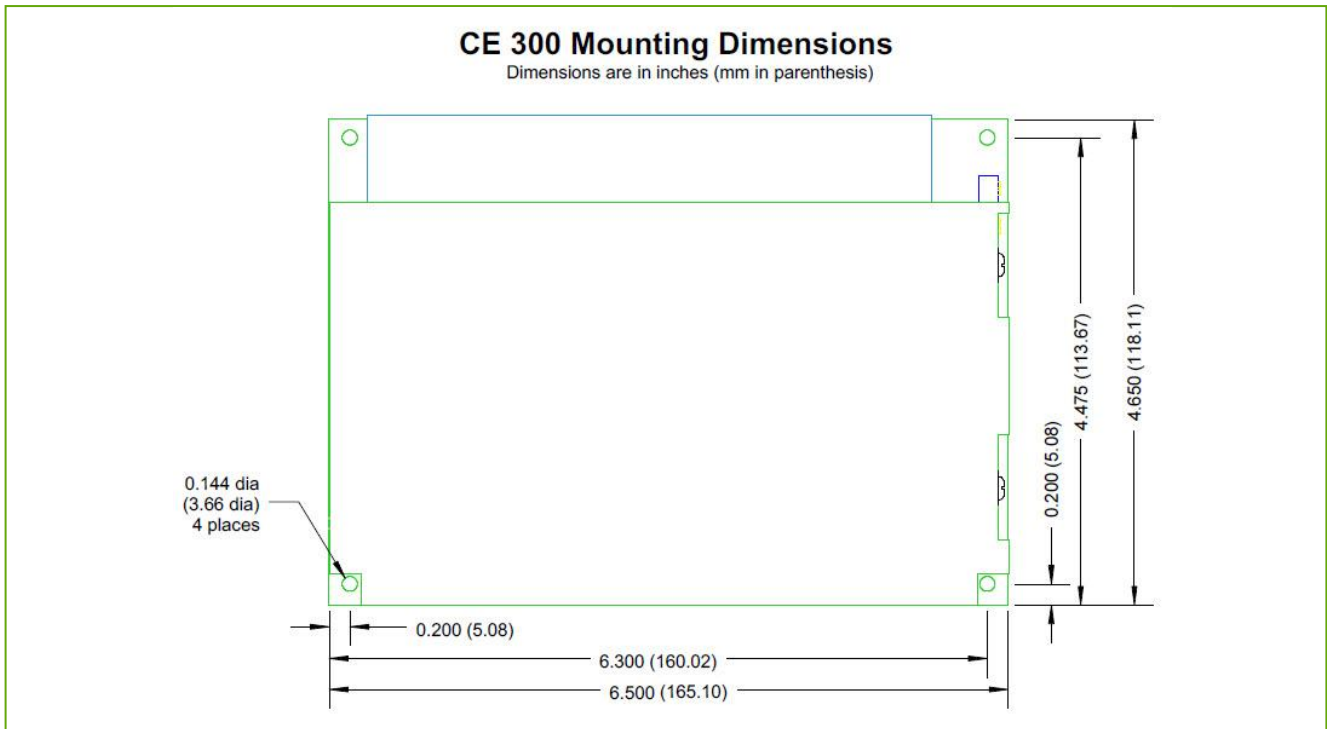
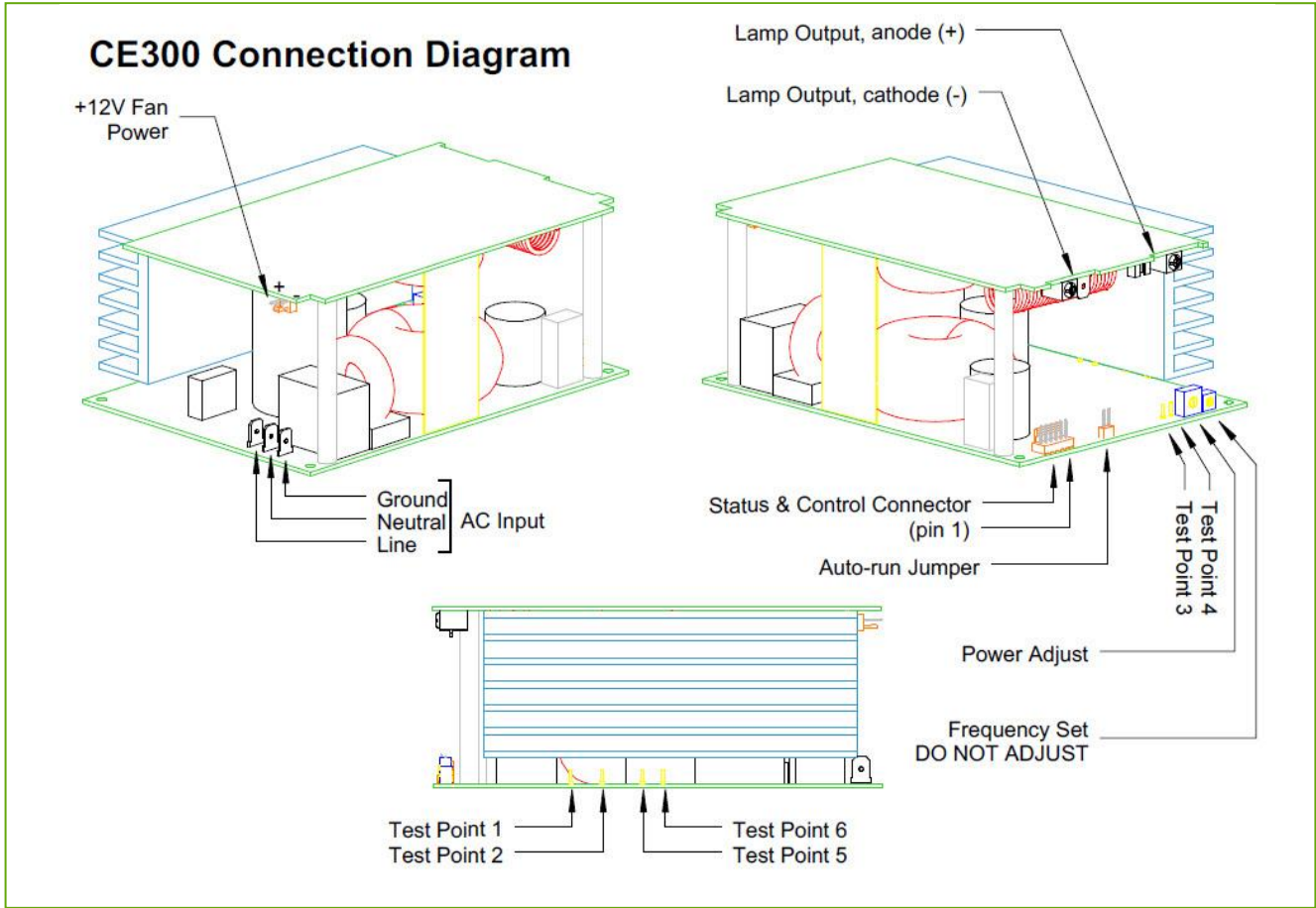
Ignitor:

- 25 KV ignition spike. Negative-side ignition.
- Minimum repetition rate is 10 strikes/second at all input voltages. Ignition pulses will continue until lamp ignites.
- Ignitor Life: > 500,000 strikes

Option 180:

- Output power 170-190 W, constant power control
- Output current 12-16 amps, DC

XENON POWER SUPPLY



CE300AXE, CE300BXE, and CE300CXE XENON POWER SUPPLY

Input / Output Connections

Models:

- CE300AXE, CE300BXE, CE300CXE

AC Input:

- 100 - 240 VAC, $\pm 10\%$, 6.5 Arms maximum
- 47 - 63 Hz
- 0.25" faston-type connectors

Lamp Output:

0.25" faston-type connectors:

- Male connector for lamp cathode (-)
- Female connector for lamp anode (+)

Screw terminal connectors (6-32 or M3 screws) are also available.

Status and Control Connector:

6-pin, 0.1" spacing, with locking ramp

Use Molex 10-11-2063 connector or equivalent

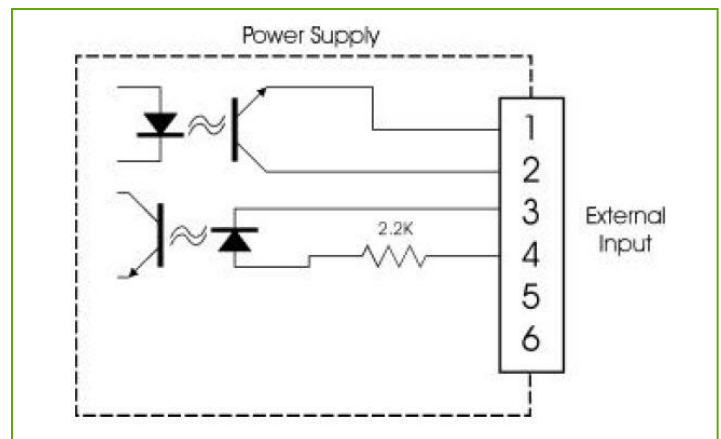
- pin 1: Lamp Lit Return
- pin 2: Lamp Lit Output
- pin 3: Enable Return
- pin 4: Enable Input
- pin 5: reserved
- pin 6: reserved

Fan Connector:

- 2-pin, 0.1" spacing, with locking ramp
- Use Molex 22-01-3027 connector or equivalent

Current Sense Test Points:

Test points TP3 and TP4 are across a 0.01 ohm resistor that is in series with the output to the lamp. This can be used to monitor output current.



Auto-Run Jumper:

Attaching a two-pin shorting block across this connector forces the supply to run as soon as power is applied. The state of the Enable input is ignored.

Using the Status and Control Connector

The Status and Control Connector consists of two inputs and one output, each of which is optically isolated. The inputs are designed to be driven by a 12V source. The source used must be capable of supplying 2.0 mA into a 6.2 V load.

The Enable input turns the lamp on and off. A high input to the Enable pin turns on the lamp. The auxiliary +12 V supply runs all the time, regardless of the state of the Enable input. The electrical delay of the enable input is less than 10 ms. To turn on the lamp, the delay of the Enable input must be added to the time to ignite the lamp, which is approximately 100 ms, for a total of 110 ms. Turning off the lamp takes only 10 ms.

The Lamp Lit output is a transistor that is on when current is flowing to the lamp. The collector current will be greater than 3.0 mA when the lamp is on. A 2.2K ohm resistor pullup will create a TTL-compatible signal. The delay from light output from the lamp to the Lamp Lit output being asserted is less than 10 ms.

CE300AXE, CE300BXE, and CE300CXE XENON POWER SUPPLY

Regulatory Compliance

Approved to UL2601 (E177225).
Complies with EN55011 Class B Emissions.
CE-marked.



About Excelitas Technologies

Excelitas Technologies is a global technology leader focused on delivering innovative, customized solutions to meet the lighting, detection and other high-performance technology needs of OEM customers.

From medical lighting to analytical instrumentation, clinical diagnostics, industrial, safety and security and aerospace and defense applications, Excelitas Technologies is committed to enabling our customers' success in their end-markets.

Excelitas Technologies has approximately 3,000 employees in North America, Europe and Asia, serving customers across the world.

**Excelitas Technologies
Illumination, Inc.**
44370 Christy Street
Fremont, California
94538-3180 USA
Telephone: (+1) 510.979.6500
Toll-free: (+1) 800.775.6786
Fax: (+1) 510.687.1140
shortarcxenon.na@excelitas.com

Excelitas Technologies
47 Ayer Rajah Crescent #06-12
Singapore 139947
Telephone: (+65) 6775 2022 (Main Line)
Telephone: (+65) 6770 4366
(Customer Service Hotline)
Fax: (+65) 6778 1752
shortarcxenon.asia@excelitas.com

**Excelitas Technologies
GmbH & Co. KG**
Wenzel-Jaksch-Str. 31
D-65199 Wiesbaden
Germany
Telephone: (+49) 611 492 430
Fax: (+49) 611 492 165
shortarcxenon.europe@excelitas.com

Excelitas Technologies
East Tower 4th Floor,
Otemachi First Square
1-5-1 Otemachi, Chiyoda-ku,
Tokyo 100-0004
Telephone: (+81) 3-5219-1228
Fax: (+81) 3-5219-120
shortarcxenon.asia@excelitas.com

For a complete listing of our global offices, visit www.excelitas.com/locations

© 2012 Excelitas Technologies Corp. All rights reserved. The Excelitas logo and design are registered trademarks of Excelitas Technologies Corp. All other trademarks not owned by Excelitas Technologies or its subsidiaries that are depicted herein are the property of their respective owners. Excelitas reserves the right to change this document at any time without notice and disclaims liability for editorial, pictorial or typographical errors.

